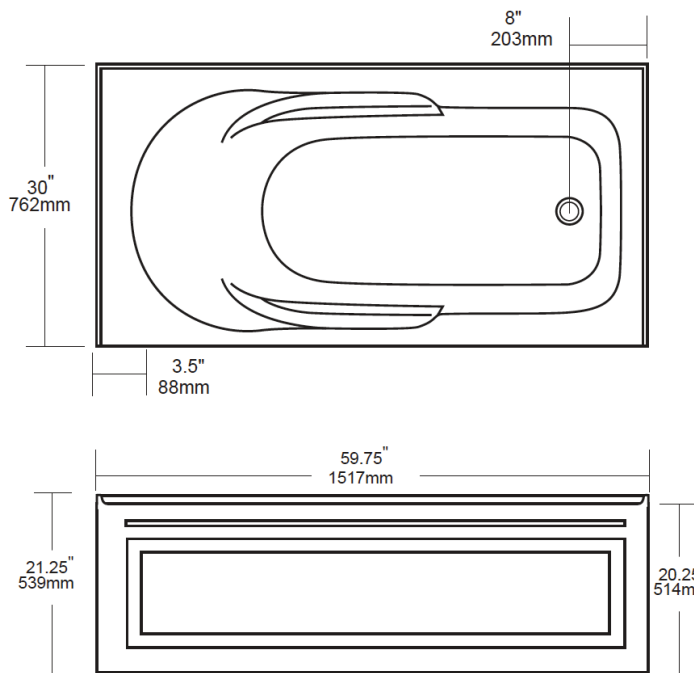


INCLUDED TUB

# HARMONY

# CQ5



- FITS INTO EXISTING ALCOVES
- DOUBLE-REINFORCED BASE
- DEEP SOAKING AREA
- CSA APPROVED
- CAN/ULC-S102 TESTED

Available with WHIRLPOOL

**PLM20702** Harmony Whirlpool CQ5-W

**BAA00326** upgraded finish

(Chrome / Brushed Nickel Jets)

TEL: (905) 470-9066  
FAX: (905) 470-9663  
TOLL-FREE: +1 (800) 561-0187

TUBCO WHIRLPOOLS LTD.

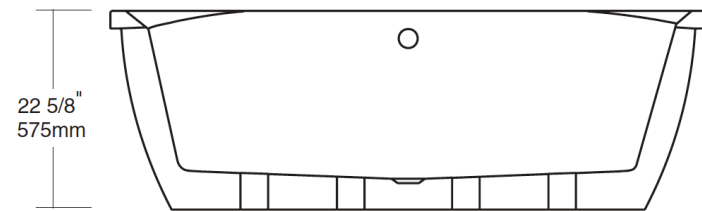
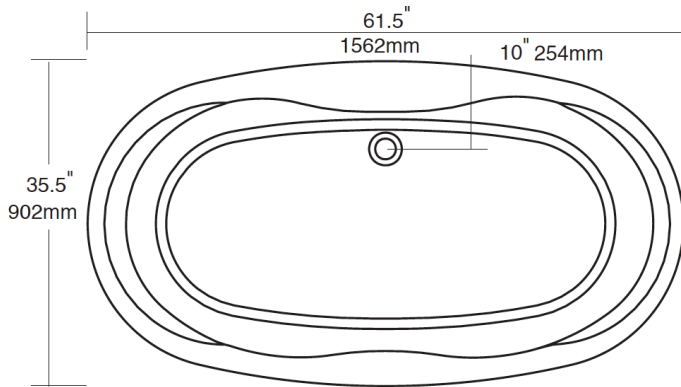
2715 14th Avenue  
Markham ON, L3R 0H9

tubco.com  
marketing@tubco.com

INCLUDED FREESTANDING TUB AS PER PLAN

# SPIRIT 60

# OV60



- DOUBLE-REINFORCED BASE
- DEEP SOAKING AREA
- CUPC APPROVED
- CAN/ULC-S102 TESTED

TEL: (905) 470-9066  
FAX: (905) 470-9663  
TOLL-FREE: +1 (800) 561-0187

TUBCO WHIRLPOOLS LTD.

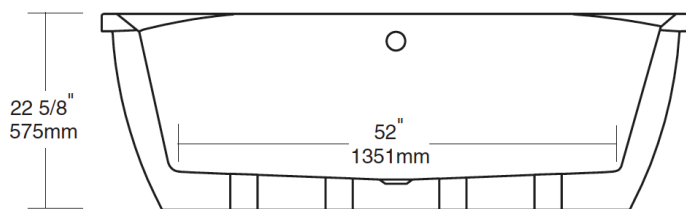
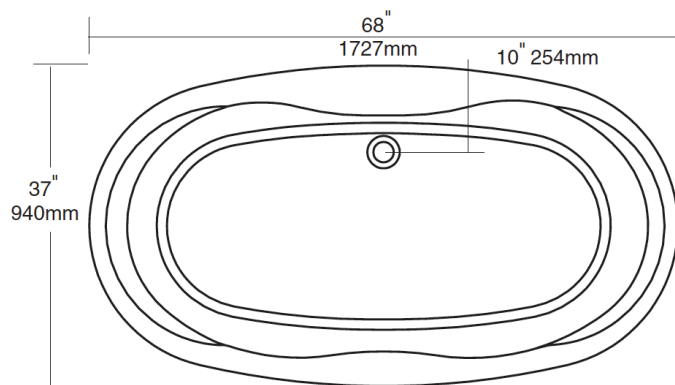
2715 14th Avenue  
Markham ON, L3R 0H9

tubco.com  
marketing@tubco.com

INCLUDED FREESTANDING TUB AS PER PLAN

# SPIRIT 68

# OV68



- DOUBLE-REINFORCED BASE
- DEEP SOAKING AREA
- CUPC APPROVED
- CAN/ULC-S102 TESTED

TEL: (905) 470-9066  
FAX: (905) 470-9663  
TOLL-FREE: +1 (800) 561-0187

TUBCO WHIRLPOOLS LTD.

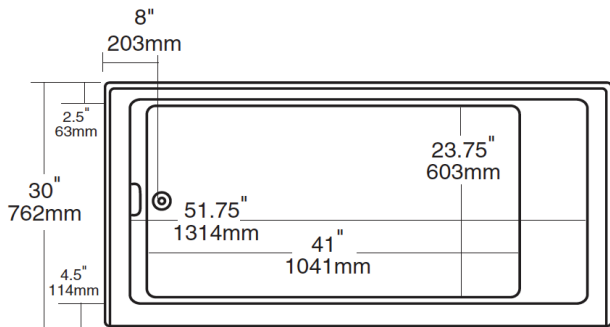
2715 14th Avenue  
Markham ON, L3R 0H9

tubco.com  
marketing@tubco.com

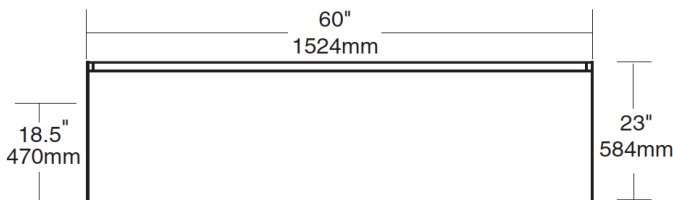
OPTIONAL DROP-IN TUB

# VISION 30

# VN30



- FITS INTO EXISTING ALCOVES
- DOUBLE-REINFORCED BASE
- DEEP SOAKING AREA
- CSA APPROVED
- CAN/ULC-S102 TESTED



Available as a WHIRLPOOL TUB

**PLM20703 - Vision 30 Whirlpool (VN30-W)**

**BAA00326 Upgraded finish Whirlpool Jets**

TEL: (905) 470-9066  
FAX: (905) 470-9663  
TOLL-FREE: +1 (800) 561-0187

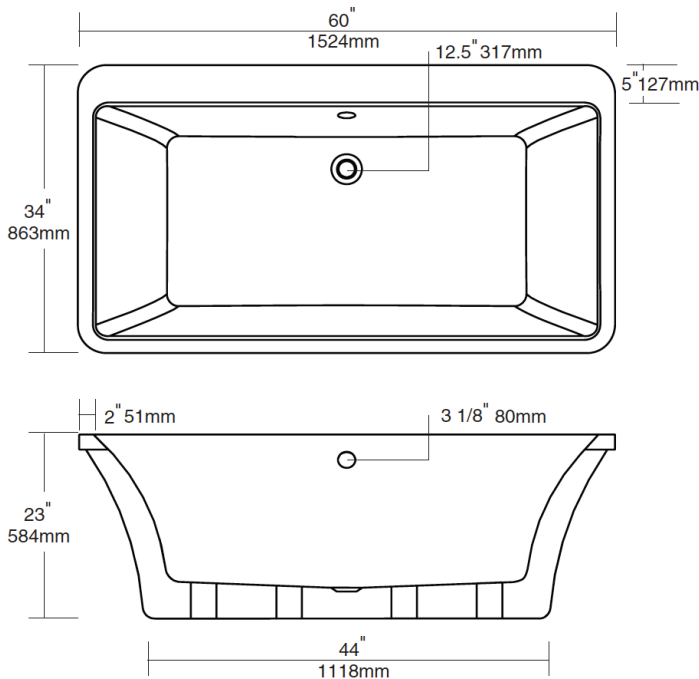
TUBCO WHIRLPOOLS LTD.

2715 14th Avenue  
Markham ON, L3R 0H9

tubco.com  
marketing@tubco.com

## OPTIONAL FREESTANDING TUB

# CIRRUS SR20



- DOUBLE-REINFORCED BASE
- DEEP SOAKING AREA
- CUPC APPROVED
- CAN/ULC-S102 TESTED

TEL: (905) 470-9066  
FAX: (905) 470-9663  
TOLL-FREE: +1 (800) 561-0187

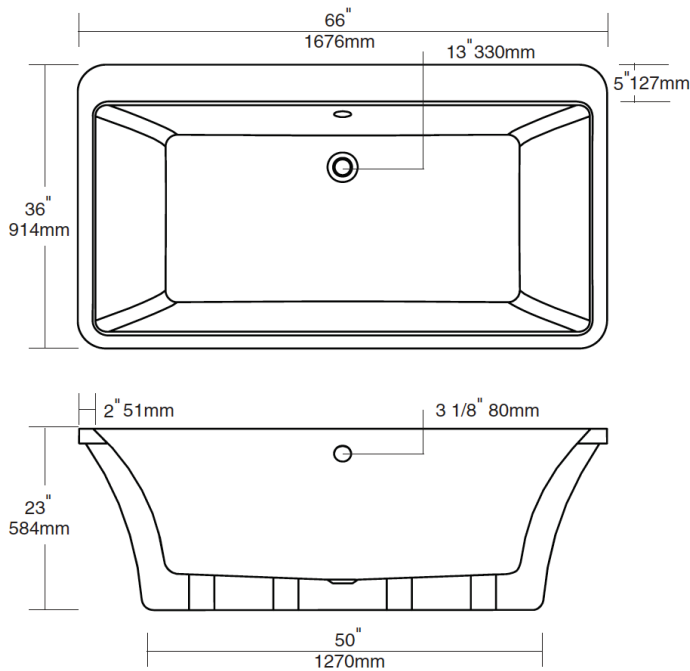
TUBCO WHIRLPOOLS LTD.

2715 14th Avenue  
Markham ON, L3R 0H9

tubco.com  
marketing@tubco.com

# OPTIONAL FREESTANDING TUB

## CIRRUS SR22



- DOUBLE-REINFORCED BASE
- DEEP SOAKING AREA
- CUPC APPROVED
- CAN/ULC-S102 TESTED

TEL: (905) 470-9066  
FAX: (905) 470-9663  
TOLL-FREE: +1 (800) 561-0187

TUBCO WHIRLPOOLS LTD.

2715 14th Avenue  
Markham ON, L3R 0H9

tubco.com  
marketing@tubco.com